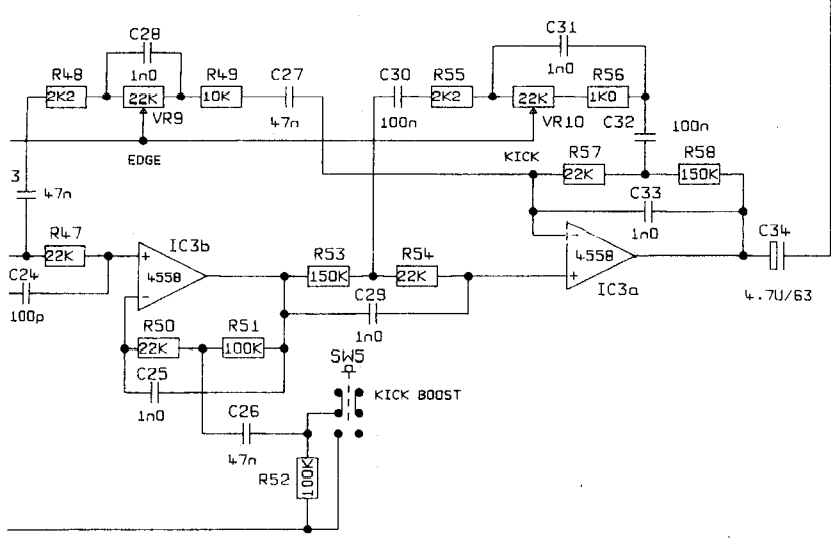
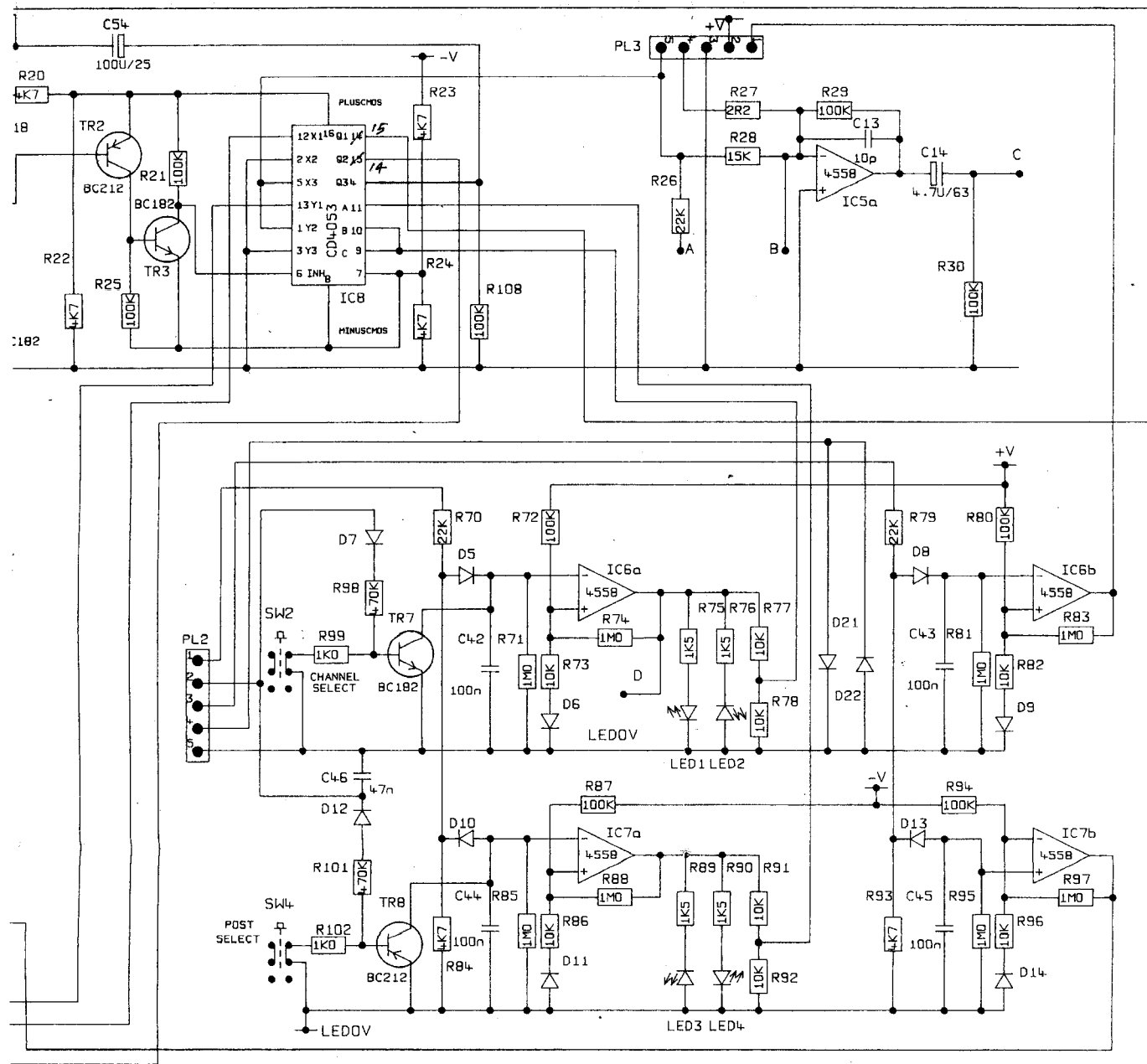


CARLSBRO ELECTRONICS LTD  
 CROSS DRIVE  
 KIRKBY-IN-ASHFIELD  
 NOTTS. NG17 7LD  
 TEL: MANSFIELD (0623) 753902  
 TELEX: 3774.72 CARLS-G

DRAWN R.D. McFARLANE. DATE 29.6.91  
 CHECKED SCALE 1:1  
 FILE TOL + 0.05mm

MATERIAL  
 FINISH

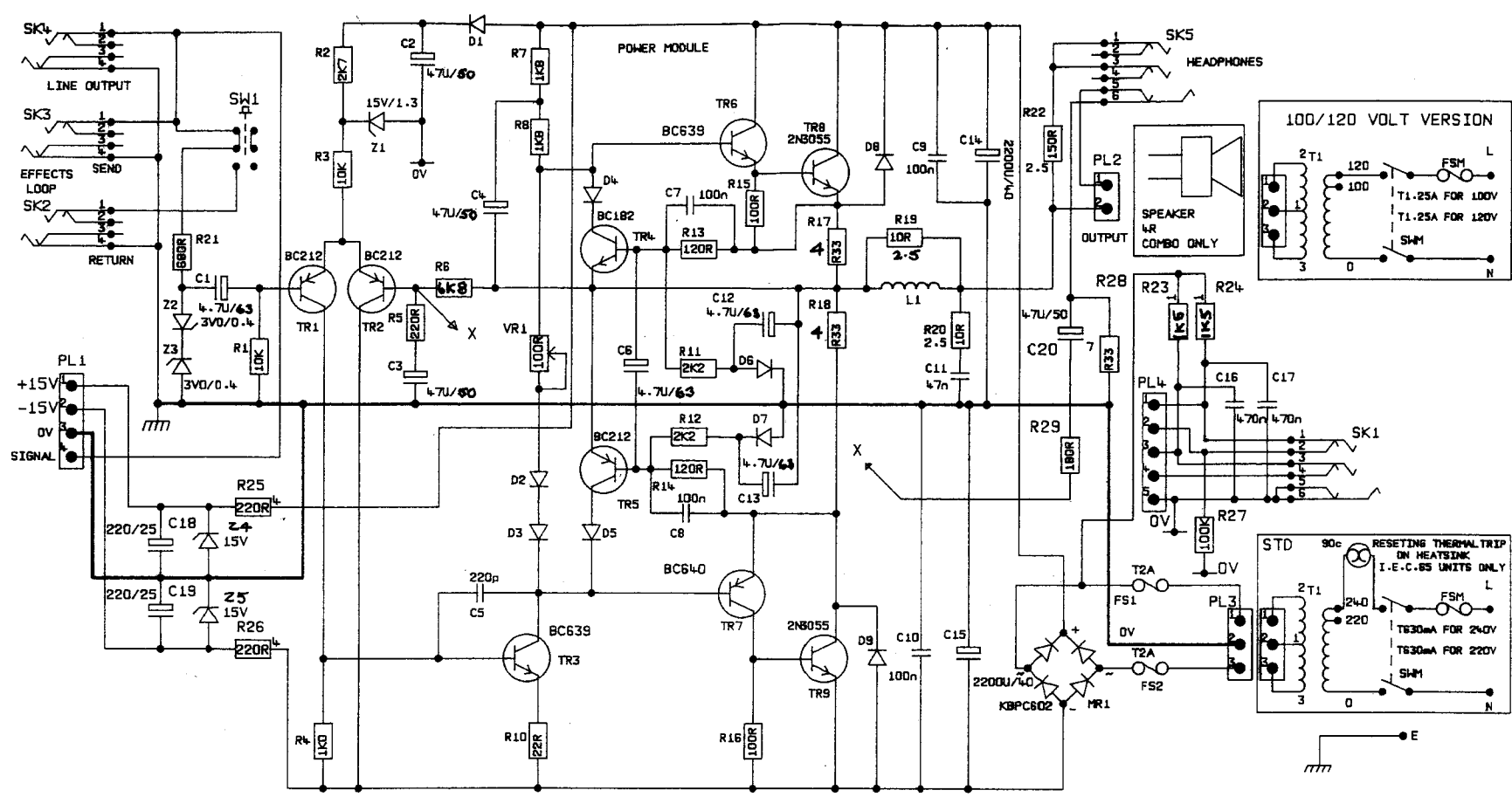
CARLSBRO



DATE	ISSUE
6-2-92	ISSUE 3
SEE CHANGE NOTE NO 793	
14-11-91	ISSUE 2
SEE CHANGE NOTE	
27-8-91	ISSUE 1
SEE C/N 742	
C33 NOT FITTED	

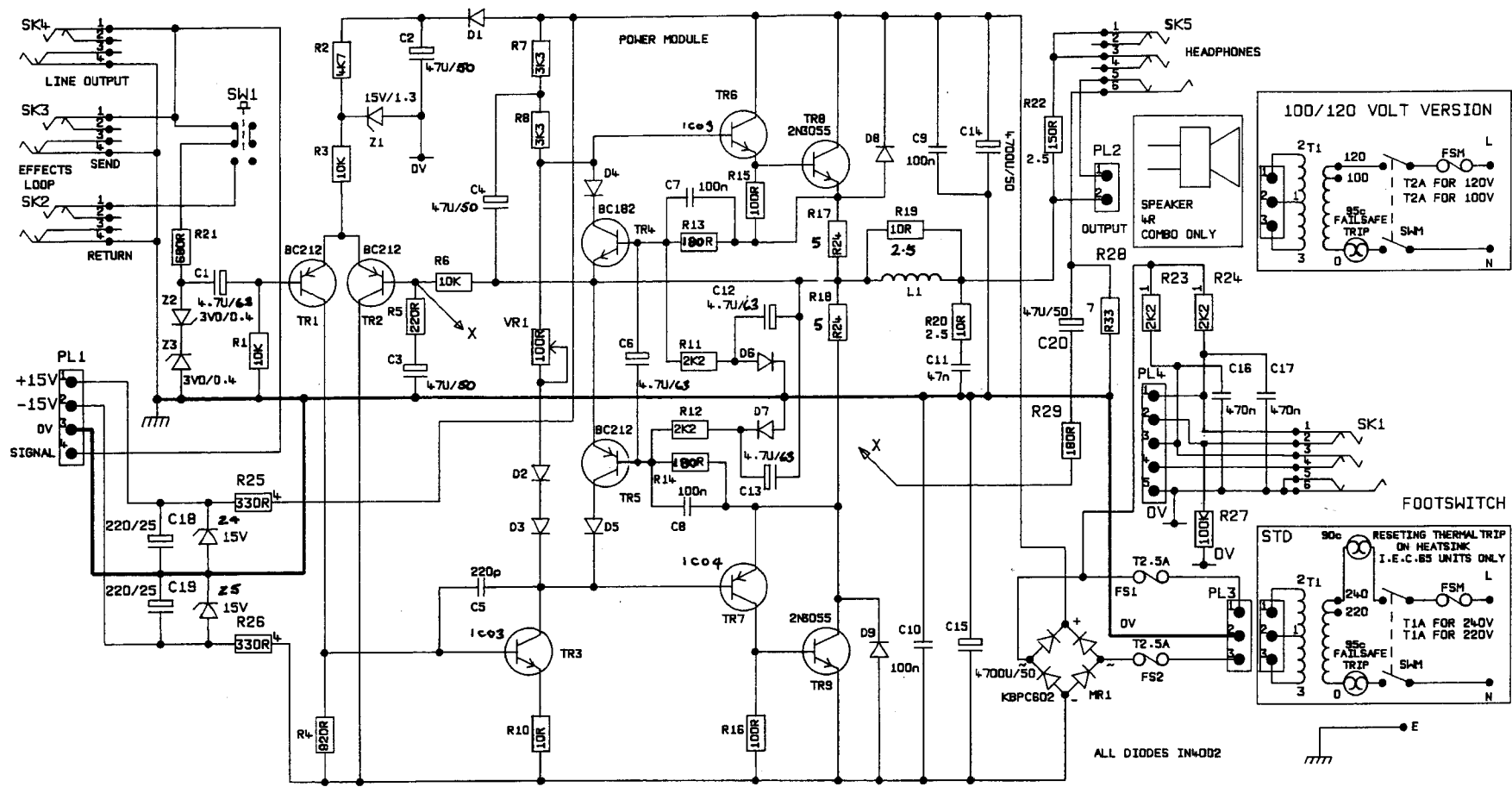
TITLE  
**CIRCUIT DIAGRAM**  
**65/100W PRE-AMP**

DRAWING No  
**CD01862**



CARLSBRO

ISSUE	DATE	CHANGE NOTE	ISSUE	DATE	CHANGE NOTE	ISSUE	DATE	CHANGE NOTE	ISSUE	DATE	CHANGE NOTE	ISSUE	DATE	CHANGE NOTE
1														
DRAWN		DATE		MAT'L		TITLE				DRG No				
R.D. McFARLANE		29-07-91				CIRCUIT DIAGRAM								
CHKD		SCALE		FINISH		65W POWER AMPLIFIER				CDO1863				
FILE		TOL												



CARLSBRO

ISSUE	DATE	CHANGE NOTE	ISSUE	DATE	CHANGE NOTE	ISSUE	DATE	CHANGE NOTE	ISSUE	DATE	CHANGE NOTE	ISSUE	DATE	CHANGE NOTE
DRAWN R.D.McFARLANE			DATE 18-12-91			MATERIAL			TITLE CIRCUIT DIAGRAM 100W POWER AMPLIFIER			DRG No CD01871		
CHKD			SCALE			FINISH								
FILE			TOL											